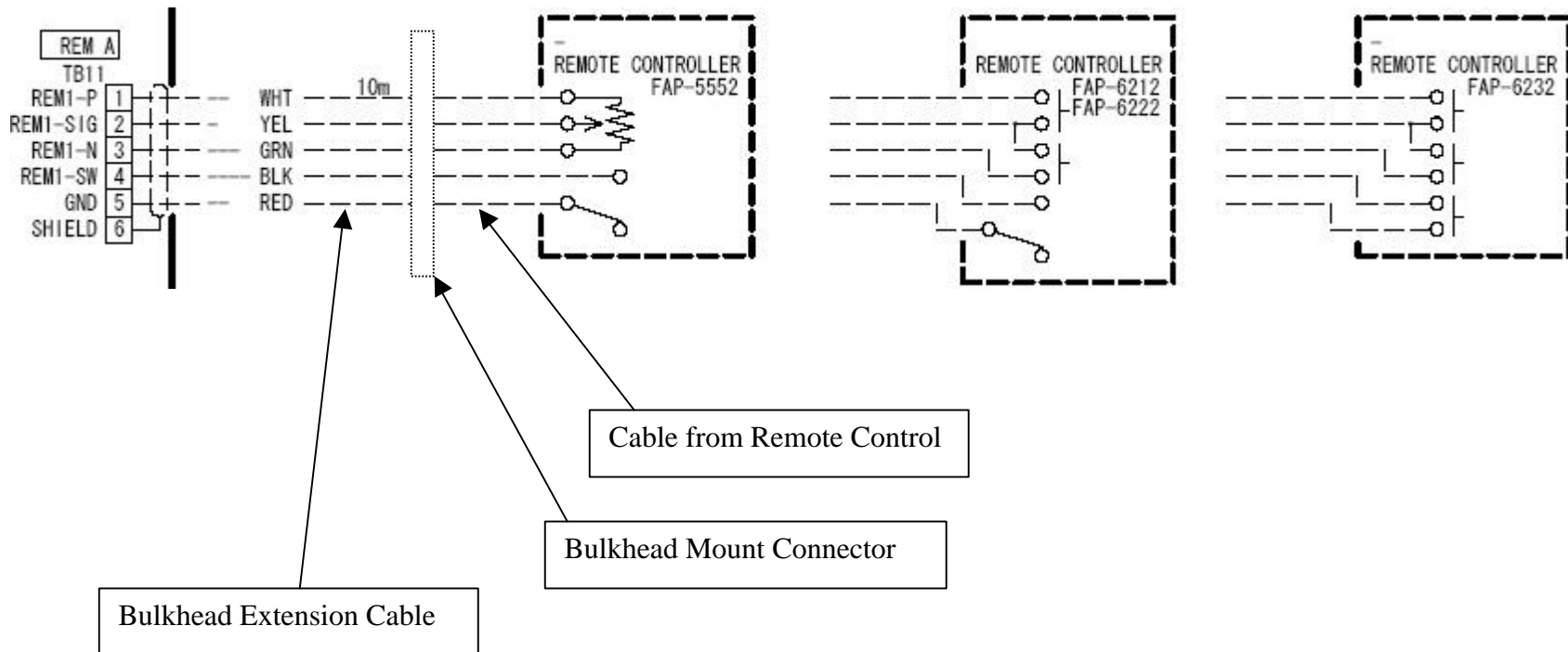


Interconnect Diagram for Remote Controllers Supplied with Bulkhead Mounted Connector and Cable



Note – If the remote controllers are connected directly to the processor unit and this extension cable is not used, refer to the applicable color codes in the interconnect diagram in Navpilot installation manual.